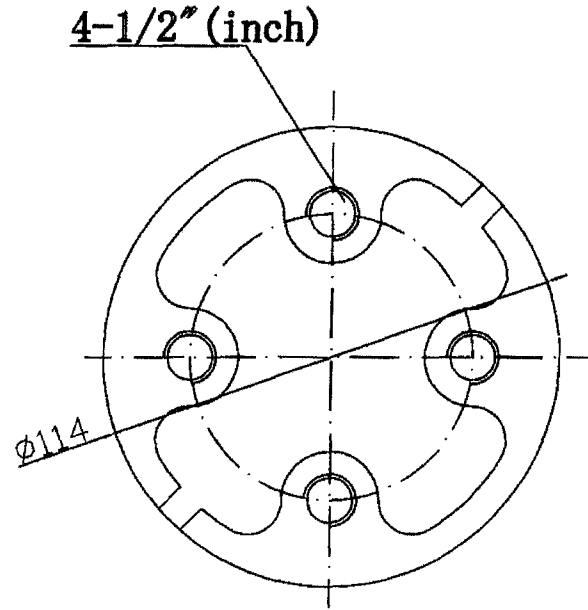
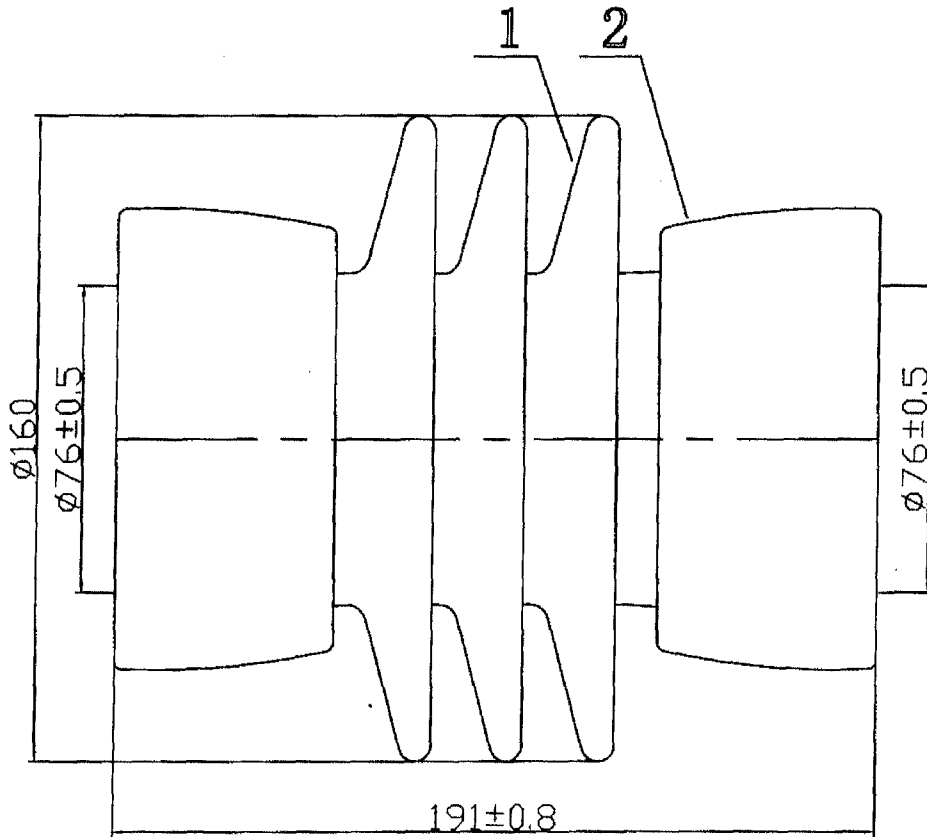


This drawing and all the information contained is the property of Newell-PSN Insulators. Neither this drawing nor any part of the information contained herein may be copied, exhibited or furnished to others without prior written consent of Newell-PSN Insulators.

Rev.No.	Revision details/revision note	Date	Signature	Approved



2	cap	2	malleable cast iron/hot-galvanized
1	porcelain	1	gray glazed
Item	Title/Name	Quantity	Note

Designed by	Checked by	Approved by	Filename	Date	Scale
			DWG-417AX		

#### Technical Specification

1. Creepage Distance 267mm.
2. Cantilever Strength 8.9kN; Tension Strength: 31kN; Compression Strength 44.5 kN; Torsion Strength 678 N-m.
3. Power Frequency Dry Flashover Voltage: 60 kV
4. Power Frequency Wet Withstand Voltage: 30 kV
5. Critical Impulse Flashover Voltage: Pos., 105 kV
6. Impulse Withstand Voltage 95 kV
7. Reference Standard: ANSI C29.9.

#### TITLE

CAT/ART  
**ANSITR-202**  
 DRG No.  
**231001**

Material Issue 1

NEWELL-PSN