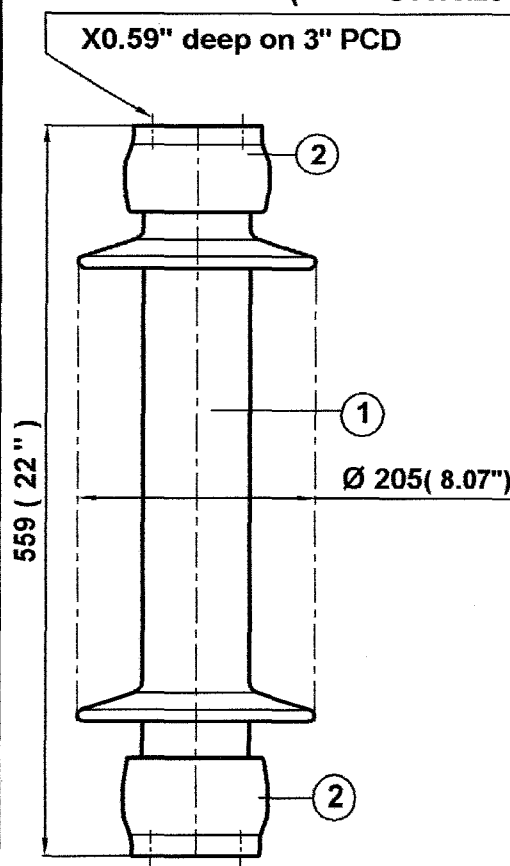


TECHNICAL PARTICULARS

4 Holes 1/2"-13UNC(0.015"Oversize) MECHANICAL VALUES



4 Holes 1/2"-13UNC(0.015"Oversize)
X0.59" deep on 3" PCD

Bending strength (Upright & under hung)	lb	2000	kN	8.89
Compression strength	lb	15000	kN	67
Tensile strength	lb	14000	kN	62
Torsional strength	in lb	12000	kNm	1.35

ELECTRICAL VALUES

Dry power frequency withstand voltage	kV	120
Wet power frequency withstand voltage	kV	100
Dry power frequency flashover voltage	kV	140
Wet power frequency flashover voltage	kV	110
Lightning impulse withstand voltage	kVp	250
Impulse flash over voltage	kVp	280
Min. creepage distance	inch43	mm 1095

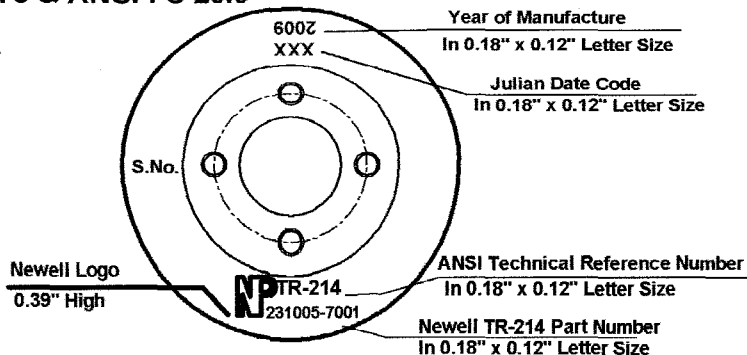
Shed profile as per IEC : 60815

RADIO INFLUENCE VOLTAGE DATA

Test voltage to ground	kV	30
Max. RIV at 1000 kHz	µV	200

NOTE: -

Test & tolerance as per IS :2544 , 5350 & IEC :60168 , 273 & ANSI : C 29.9



Marking at top shed

2	Cap	MCI / SGI	Hot dip galv .
1	Insulator body	Al. porcelain	Grey Glazed
S.No.	DESCRIPTION	MATERIAL	REMARKS

Title STATION POST INSULATOR (BIL - 250 kV)		Scale N.T.S.	Matl. See table
Ref. TR : 214		Drawn M.A.Haque	Checked K.R.J.C.
All dimension are in mm./Inch.		Approved J.B.A.	Date 20 -10 - 1995
NEWELL P S N L L C		Drg. No. 212 - C - 087	Rev. 0