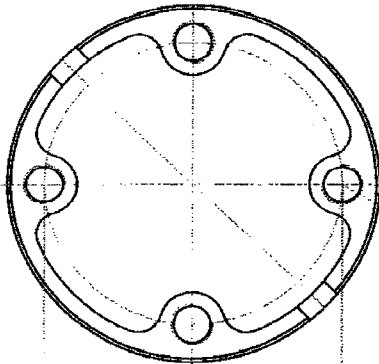


IMPORTANT

NOTICE This drawing and all the information contained is the property of Newell-PSN Insulators. Neither this drawing nor any part of the information contained herein may be copied, exhibited or furnished to others without prior written consent of Newell-PSN Insulators.

Rev.No.	Revision details/revision note	Date	Signature	Approved 批准

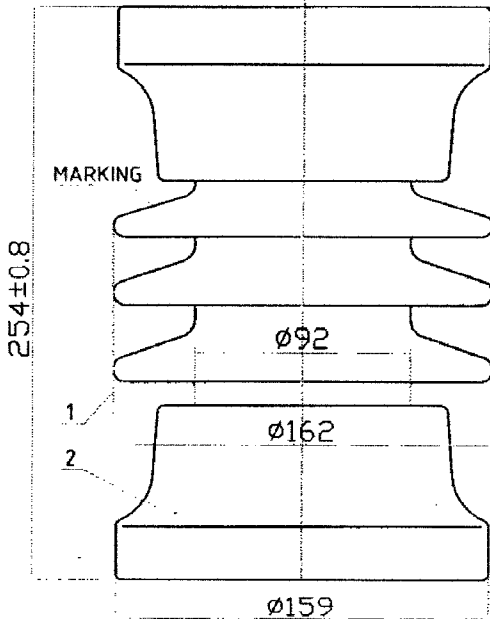


4-5/8"
11 UNC 0.625"DP

Ø127±0.5

Technical Specification

- 1.Min.Nom.Creepage distance 266.7mm
- 2.Wet power frequency withstand voltage 30kV
- 3.Lightning impulse withstand voltage 95kV
- 4.Critical impulse flashover voltage (positive) 105kV
- 5.Ultimate bending strength 17.79kN,Ultimate compression strength 88.96kN
Ultimate tensile strength 66.72kN,Ultimate torsional strength 1356Nm
- 6.Test voltage to ground 10kV,Max.RIV at 1000 MHz,50uV
- 7.Colour: grey glaze
- 8.Applicable standard ANSI C29.1 & 29.9



2	end	2	hot dip galvanized
1	shell	1	porcelain
Item	title	quantity	note

Designed by	Checked by	Approved by	Date	Scale

NP

NEWELL-PSN INSULATORS

TITLE	
SOLIDCORE POST INSULATOR	
CAT/ART	
TR 222	
DRG No.	
4204AX	
Material	Issue
	1