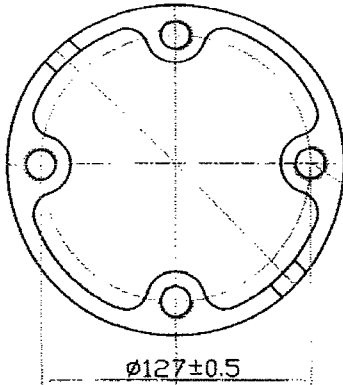


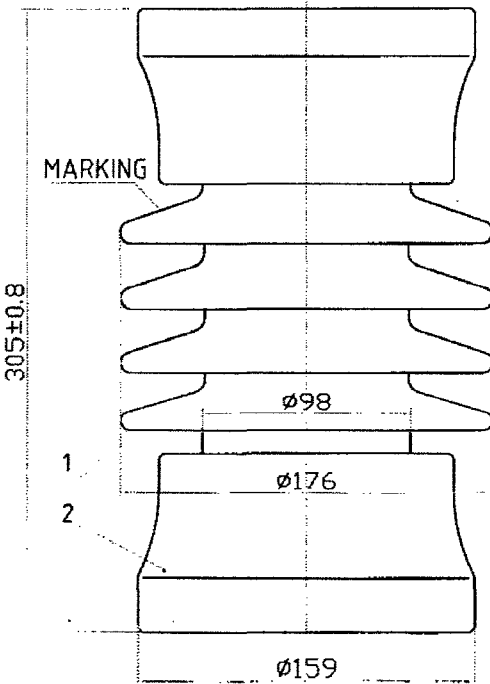
IMPORTANT NOTICE

This drawing and all the information contained is the property of Newell-PSN Insulators. Neither this drawing nor any part of the information contained herein may be copied, exhibited or furnished to others without prior written consent of Newell-PSN Insulators.

Rev.No.	Revision details/revision note	Date	Signature	Approved



4-5/8"
11 UNC 0.625" DP



Technical Specification

1. Min. Nom. Creepage distance 394mm
2. Wet power frequency withstand voltage 45kV
3. Lightning impulse withstand voltage 110kV
4. Critical impulse flashover voltage (positive) 125kV
5. Ultimate bending strength 18kN, Ultimate compression strength 88.9kN
Ultimate tensile strength 88.9kN, Ultimate torsional strength 1580Nm
6. Test voltage to ground 10kV, Max. RIV at 1000 MHz, 50uV
7. Colour: grey glaze
8. Applicable standard ANSI C29.1 & 29.9

2	end	2	hot dip galvanized
1	shell	1	porcelain
Item	title	quantity	note

Designed by	Checked by	Approved by	Date	Scale
-------------	------------	-------------	------	-------

NP

NEWELL-PSN INSULATORS

TITLE 产品名称	
SOLIDCORE POST INSULATOR	
CAT/ART	
TR 225	
DRG No.	
4205AX	
Material	Issue
	1