

Technical Specification

Mechanical failing load: 17.8kN

Low frequency dry flashover voltage:
25 kV

Low frequency wet flashover voltage:

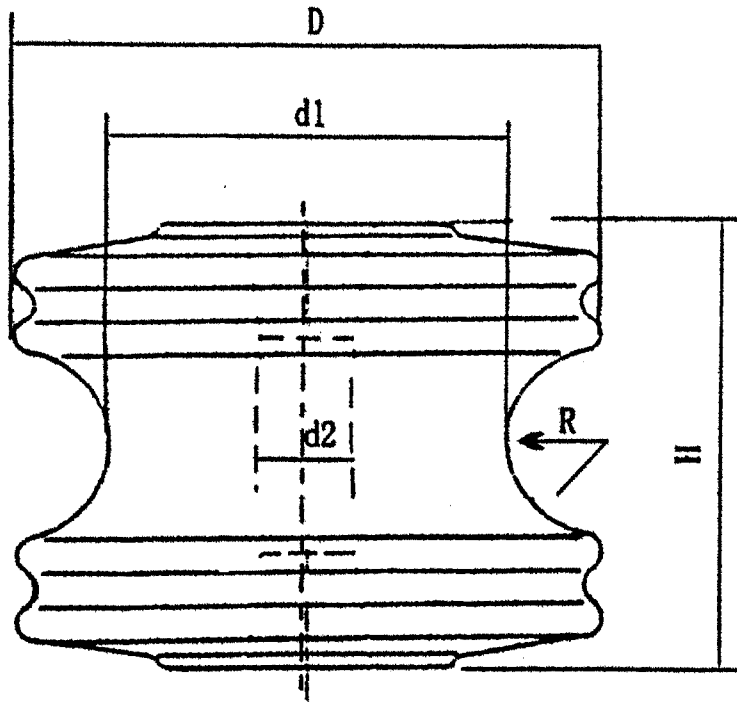
Vertical: 12 kV

Horizontal: 15 kV

Main Dimensions

H: 81mm D: 76mm R: 11mm

d1: 44mm d2: 17.5mm



ANSI53-3	2335330	
Spool Porcelain Insulator	WEIGHT	UNIT
	0.6 KG	MM
ASSEMBLY DRAWING	Newell-PSN	