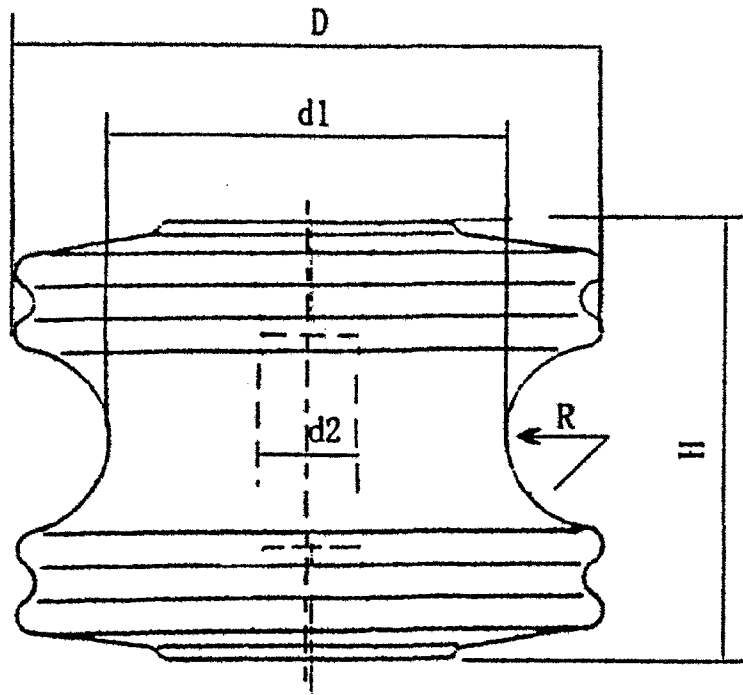


## Technical Specification



Mechanical failing load: 20 kN  
 Low frequency dry flashover voltage:  
 25 kV  
 Low frequency wet flashover voltage:  
 Vertical: 12 kV  
 Horizontal: 15 kV

## Main Dimensions

H: 76mm    D:105mm    R: 16 mm  
 d1: 73mm    d2: 17.5mm

ANSI53-4	2335340	
Spool Porcelain Insulator	WEIGHT	UNIT
	1 KG	MM
ASSEMBLY DRAWING	Newell-PSN	