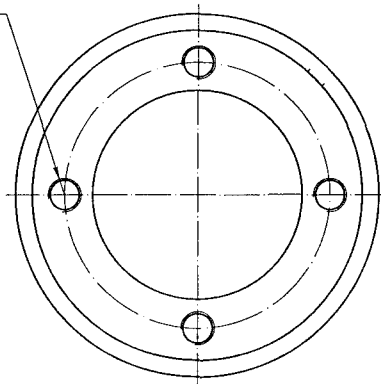


MECHANICAL CHARACTERISTICS	
CANTILEVER STRENGTH, LBS	8000
TENSILE STRENGTH, LBS	28000
TORSIONAL STRENGTH, IN-LBS	40000
COMPRESSION STRENGTH, LBS	40000
ELECTRICAL CHARACTERISTICS	
POS. CRITICAL F.O., kV	170
IMPULSE WITHSTAND, kV	150
60 HZ WET WITHSTAND, kV	60
RIV CHARACTERISTICS	
60 HZ TEST VOLTAGE, kV	15
MAX. RIV AT 1000 KHz, μ V	100
PHYSICAL CHARACTERISTICS	
LEAKAGE DISTANCE, IN	24
COLOR: GRAY	
TESTED PER ANSI C29.1 (LATEST REVISION) & ANSI C 29.9 (LATEST REVISION)	

5/8" - 11UNF-2B
4 HOLES AT 90° ON 5.00" B.C.,
5/8" DEEP BOTH ENDS



AB

					150kV -BIL NON-STACKING STATION POST		DRAWING #	041015		
							PHASE SIGN	WEIGHT	SCALE	
SIGN	QTY	REJIGGER #	NAME	DATE	INSULATOR		TOTAL 1 PAGES		PAGE 1	
DRAWN							NEWELL-PSV LLC			
CHECKED										
APPROVE										
DATE										