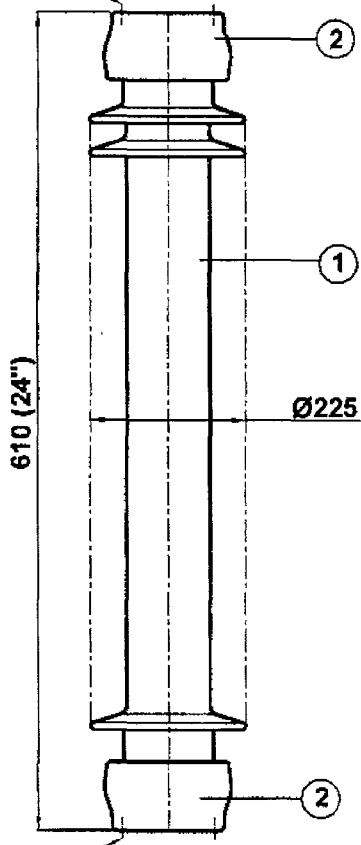


TECHNICAL PARTICULARS

4Holes 5/8"-11UNC(0.015"Oversize)

x 0.866" deep on 5" PCD



610 (24")

Ø225

4Holes 5/8"-11UNC(0.015"Oversize)

x 0.866" deep on 5" PCD

MECHANICAL VALUES

Bending strength (Upright & Underhung)	lb 4000	kN	17.8
Compression strength	lb 60000	kN	267
Tensile strength	lb 25000	kN	111
Torsional strength	inlb 20000	kNm	2.26

ELECTRICAL VALUES

Dry power frequency withstand voltage	kV	120
Wet power frequency withstand voltage	kV	100
Dry power frequency flashover voltage	kV	170
Wet power frequency flashover voltage	kV	125
Lightning impulse withstand voltage	kVp	250
Impulse flash over voltage	kVp	280
Min. creepage distance	inch 43	mm 1093

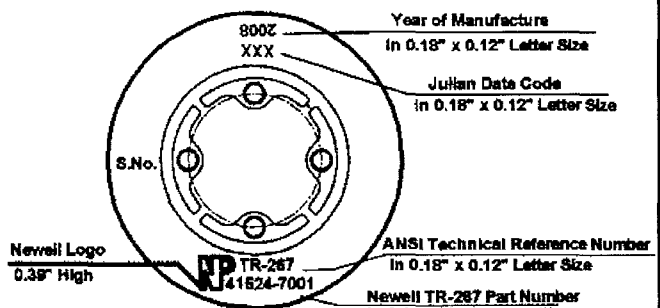
Shed profile as per IEC :60815

RADIO INFLUENCE VOLTAGE DATA

Test voltage to ground	kV	30
Max. RIV at 1000 kHz	µV	200

NOTE: -

Test & tolerance as per IS :2544 , 5350 & IEC :60168 ,
IEC: 273 & ANSI : C 29.9



Marking at top shed

2	Caps	MCI / SGI	Hot dip galv .
1	Insulator body	Al. porcelain	Grey Glazed
S.No.	DESCRIPTION	MATERIAL	REMARKS

STATION POST INSULATOR (BIL - 250 kV)		Scale N.T.S.	Matl. See table
Ref. TR - 267		Drawn	S.N. Rathore
		Checked	D.S. Singh
		Approved	A.P.N
All dimension are in mm /inch.		Date	29-03-1990
NEWELL PSN LLC		Drg. No. 212 - C - 095	Rev. 3

Rev. :- 3 On dated 19-06-2008