

4Holes5/8"-11UNC (0.015"Oversize)
X 0.866 deep on 5"P.C.D.

TECHNICAL PARTICULARS

MECHANICAL VALUES

Bending strength (Upright) lb	1000	kN	4.45
Compression strength lb	60000	kN	267
Tensile strength lb	20000	kN	89
Torsional strength inch-lb	60000	kNm	6.78

ELECTRICAL VALUES

Dry power frequency withstand voltage	kV	585
Wet power frequency withstand voltage	kV	525
Dry power frequency flashover voltage	kV	615
Wet power frequency flashover voltage	kV	555
Lightning impulse withstand voltage	kVp	1300
Impulse flash over voltage	kVp	1410
Min. creepage distance	inch 231	mm 5868
Net Weight (approx.)		kgs 143

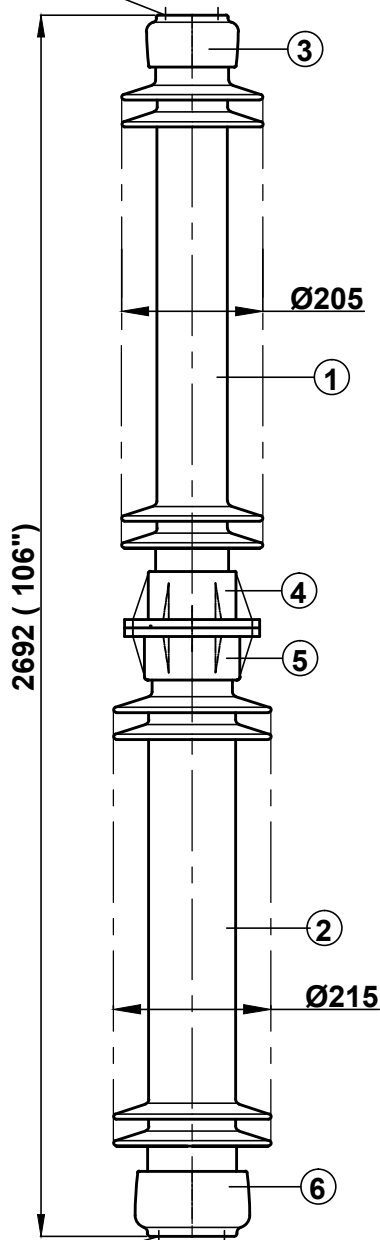
Shed profile as per IEC : 60815

RIV DATA

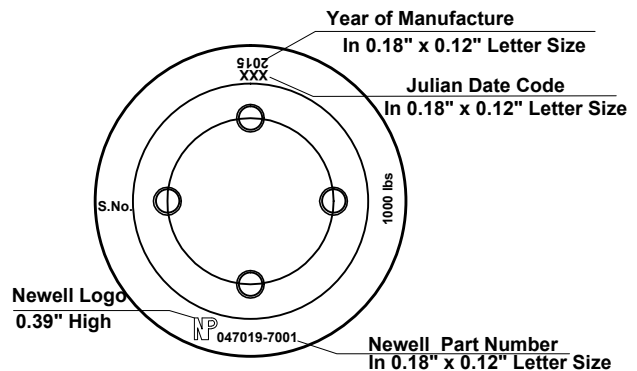
Test voltage to ground	kv	220
Max. RIV Microvolts at 1000 kHz	µv	1000

NOTE: -

Test & tolerance as per IS :2544 , 5350 & IEC :60168 ,
IEC :273 & ANSI :C29.9



4Holes5/8"-11UNC (0.015"Oversize)
X 0.866 deep on 5"P.C.D.



Marking on Top shed

3, 4, 5 & 6	Caps & flanges	MCI / SGI	Hot dip galv .
1, 2	Insulator body	Porcelain	Grey Glaze
S.No.	DESCRIPTION	MATERIAL	REMARKS

Title STATION POST INSULATOR (BIL-1300 kv)		Scale N.T.S.	Matl. See table
Ref.		Drawn	Kirti Nambiar
		Checked	S.K.dixit
		Approved	KR JC
All dimension are in mm./inch		Date	03-09-2010
NEWELL PSN LLC		Drg. No.	Rev.
		212 - C - 1916	1

Rev. - 1 on dt. - 24-10-2015
Design modified