

TECHNICAL PARTICULARS

MECHANICAL VALUES

| | | | |
|---------------------------------|-------|-----|------|
| Bending strength (Upright) lb | 2500 | kN | 11.2 |
| Compression strength lb | 90000 | kN | 400 |
| Tensile strength lb | 25000 | kN | 111 |
| Torsional strength in lb | 90000 | kNm | 10.2 |

ELECTRICAL VALUES

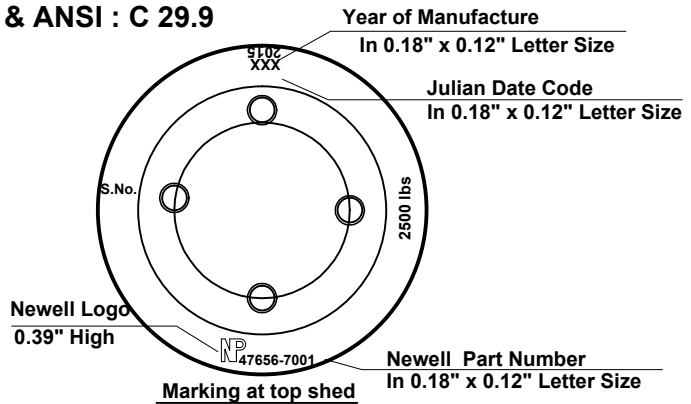
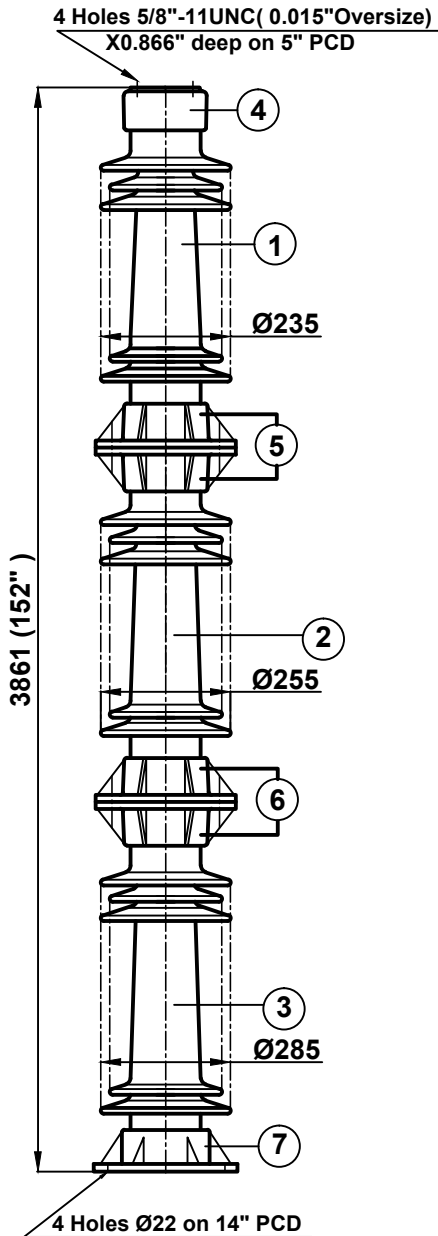
| | | |
|---------------------------------------|-----------|---------|
| Dry power frequency withstand voltage | kV | 810 |
| Wet power frequency withstand voltage | kV | 710 |
| Dry power frequency flashover voltage | kV | 990 |
| Wet power frequency flashover voltage | kV | 900 |
| Lightning impulse withstand voltage | kVp | 1800 |
| Impulse flash over voltage (+ve) | kVp | 2000 |
| Impulse flash over voltage (-ve) | kVp | 2240 |
| Min. nominal creepage distance | inch360 | mm 9144 |
| Dry Arcing distance | inch129.4 | mm 3287 |
| Net Weight (approx.) | lbs 788 | kgs 357 |
| Shed profile as per IEC : 60815 | | |

RADIO INFLUENCE VOLTAGE DATA

| | | |
|------------------------|----|------|
| Test voltage to ground | kV | 318 |
| Max. RIV at 1000 kHz | µV | 2000 |

NOTE: -

Test & tolerance as per IS :2544 , 5350 & IEC :60168 ,
273 & ANSI : C 29.9



| | | | |
|----------|----------------|-----------|----------------|
| 4,5,6,&7 | Caps & Flange | MCI / SGI | Hot dip galv . |
| 1,2 & 3 | Insulator body | Porcelain | Grey glazed |
| S.No. | DESCRIPTION | MATERIAL | REMARKS |

| | | | |
|-------|---|-----------------|--------------------|
| Title | 500 kV STATION POST INSULATOR (BIL - 1800 kV) | Scale N.T.S. | Matl. See table |
|-------|---|-----------------|--------------------|

| | | |
|------|----------|---------------|
| Ref. | Drawn | Kirti Nambiar |
| | Checked | S.K.Dixit |
| | Approved | K.R.J.C. |

| | | |
|--------------------------|------|------------|
| All dimension are in mm. | Date | 23-09-2011 |
|--------------------------|------|------------|

| | | |
|-----------------------|----------------------|----------|
| NEWELL PSN LLC | Drg. No. | Rev. |
| | 212- C - 1642 | 2 |

Rev. - 2 on dt. - 25-03-2015

Details added as per comments of customer

Rev. - 1 on dt. - 19-03-2015

Electrical value 810,990, & 900 were 730,740 & 720
as per comments of customer.