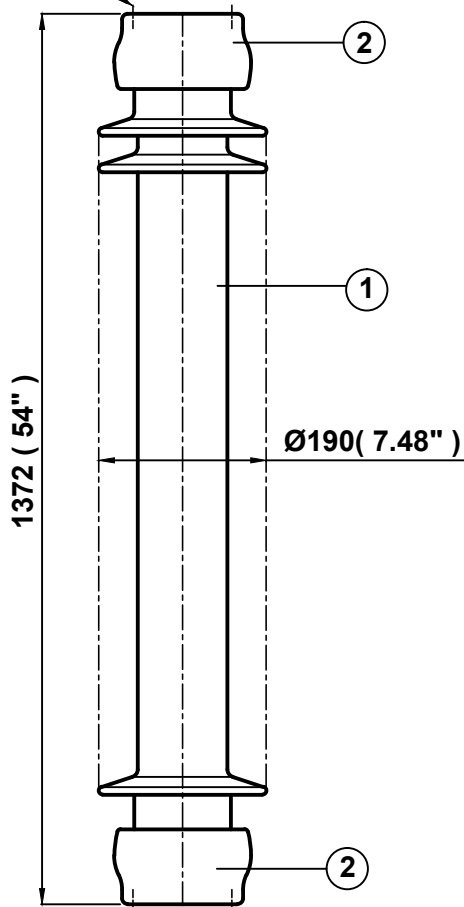


TECHNICAL PARTICULARS

4 Holes 5/8" -11UNC (0.015"Oversize)

X 0.866" deep on 5" PCD



4 Holes 5/8" -11UNC (0.015"Oversize)

X 0.866" deep on 5" PCD

MECHANICAL VALUES

Bending strength (Upright & under hung)	lb	1450	kN	6.45
Compression strength	lb	60000	kN	267
Tensile strength	lb	20000	kN	89
Torsional strength	in lb	60000	kNm	6.78

ELECTRICAL VALUES

Dry power frequency withstand voltage	kV	335		
Wet power frequency withstand voltage	kV	275		
Dry power frequency flashover voltage	kV	365		
Wet power frequency flashover voltage	kV	305		
Lightning impulse withstand voltage	kVp	650		
Impulse flash over voltage	kVp	710		
Min. creepage distance	Inch	116	mm	2947
Net Weight (approx.)			kg	60
Shed profile as per IEC :60815				

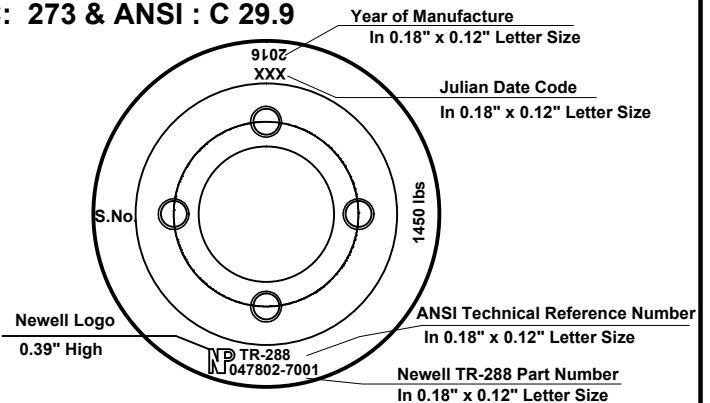
RADIO INFLUENCE VOLTAGE DATA

Test voltage to ground	kV	88
Max. RIV at 1000 kHz	µV	200

NOTE: -

Test & tolerance as per IS :2544 , 5350 & IEC :60168 ,

IEC: 273 & ANSI : C 29.9



Marking at top shed

2	Caps	MCI / SGI	Hot dip galv .
1	Insulator body	Porcelain	Grey Glazed
S.No.	DESCRIPTION	MATERIAL	REMARKS
Title		Scale	Matl.
SOLIDCORE POST INSULATOR (BIL - 650 kV)		N.T.S.	See table
Ref. TR : 288		Drawn	Kirti Nambiar
		Checked	s.K.Dixit
		Approved	KR JC
All dimension are in mm./inch.		Date	05-09-2010
NEWELL PSN LLC		Drg. No.	Rev.
		212 - C - 1440	0