

4 Holes 5/8"-11UNC(0.015"Oversize)
X0.866" deep on 5" PCD

TECHNICAL PARTICULARS

MECHANICAL VALUES

| | | | | |
|----------------------|---------|-------|-----|------|
| Bending strength | lb | 800 | kN | 3.6 |
| Compression strength | lb | 60000 | kN | 267 |
| Tensile strength | lb | 20000 | kN | 89 |
| Torsional strength | inch-lb | 40000 | kNm | 4.52 |

ELECTRICAL VALUES

| | | | | |
|---------------------------------------|------|------|----|------|
| Dry power frequency withstand voltage | kV | 515 | | |
| Wet power frequency withstand voltage | kV | 455 | | |
| Dry power frequency flashover voltage | kV | 545 | | |
| Wet power frequency flashover voltage | kV | 485 | | |
| Lightning impulse withstand voltage | kVp | 1050 | | |
| Impulse flash over voltage | kVp | 1210 | | |
| Min. creepage distance | inch | 198 | mm | 5030 |

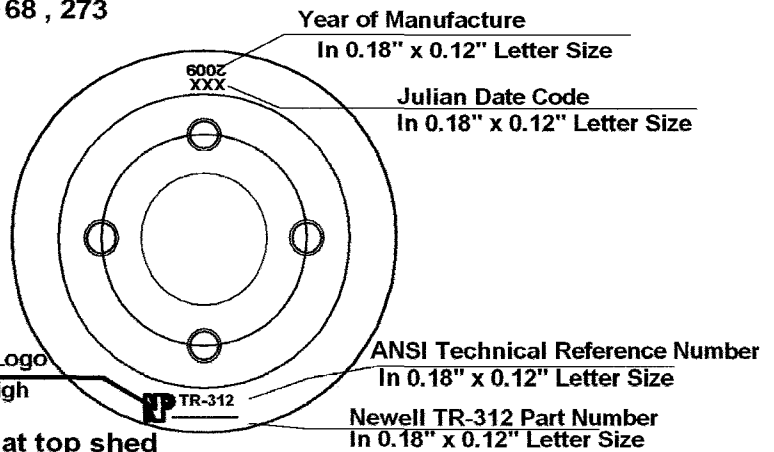
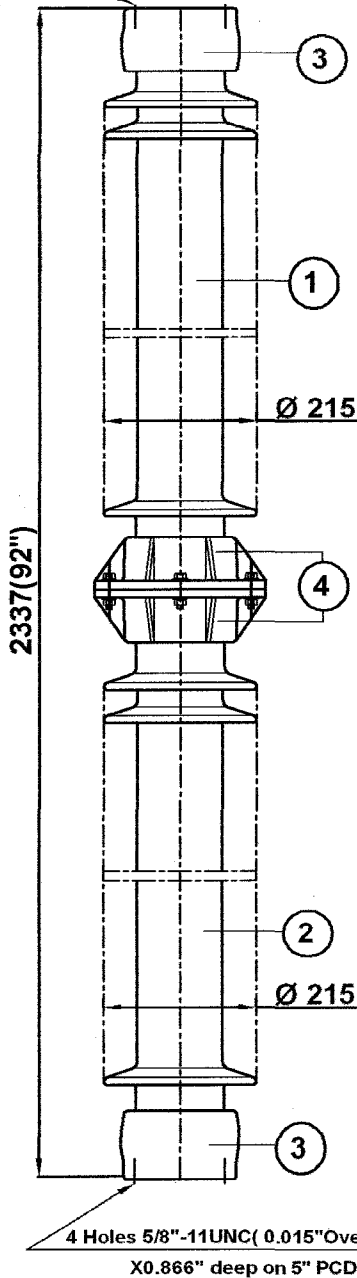
Shed profile as per IEC : 60815

RIV DATA

| | | |
|---------------------------------|----|-----|
| Test voltage to ground | kV | 146 |
| Max. RIV Microvolts at 1000 kHz | µv | 500 |

NOTE: -

Test & tolerance as per IS :2544 , 5350 ,ANSI C29.9
& IEC :60168 , 273



Marking at top shed

| | | | |
|-------|----------------|---------------|----------------|
| 3 & 4 | Cap & flange | MCI / SGI | Hot dip galv . |
| 1, 2 | Insulator body | Al. porcelain | Grey Glazed |
| S.No. | DESCRIPTION | MATERIAL | REMARKS |

| | | | |
|--|--|-----------------------------------|------------------------|
| Title STATION POST INSULATOR (BIL 1050) | | Scale N.T.S. | Matl. See table |
| Ref. TR - 312 | | Drawn Prashant Gaur | Checked S.KDixit |
| All dimension are in mm. | | Approved Prashant Gaur | Date 26 - 11 - 2004 |
| NEWELL P S N L L C | | Drg. No. 212 - C - 1127 | Rev. 0 |