

TECHNICAL PARTICULARS

MECHANICAL VALUES

Bending strength (Upright) lb	1450	kN	6.45
Compression strength lb	60000	kN	267
Tensile strength lb	20000	kN	89
Torsional strength in lb	60000	kNm	6.78

ELECTRICAL VALUES

Dry power frequency withstand voltage	kV	460
Wet power frequency withstand voltage	kV	385
Dry power frequency flashover voltage	kV	490
Wet power frequency flashover voltage	kV	425
Lightning impulse withstand voltage	kVp	900
Impulse flash over voltage	kVp	1010
Min. nominal creepage distance	inch	165 mm
Net Weight (approx.)	kgs	105

Shed profile as per IEC : 60815

RADIO INFLUENCE VOLTAGE DATA

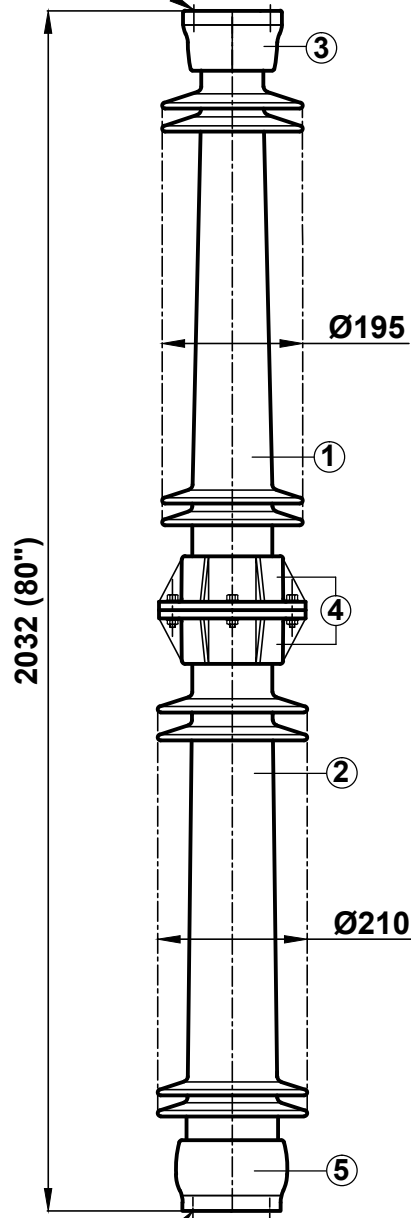
Test voltage to ground	kV	146
Max. RIV at 1000 kHz	µV	500

NOTE: -

Test & tolerance as per IS :2544 , 5350 & IEC :60168 ,
273 & ANSI : C 29.9

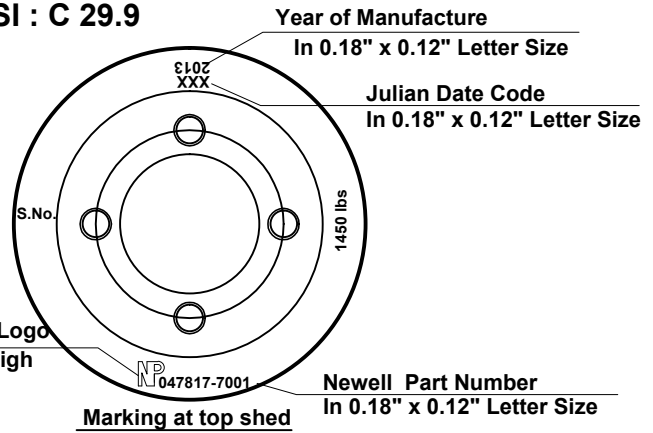
4 Holes 5/8"-11UNC(0.015"Oversize)

X0.866" deep on 5" PCD



4 Holes 5/8"-11UNC(0.015"Oversize)

X0.866" deep on 5" PCD



3, 4 & 5	Caps & Flange	MCI / SGI	Hot dip galv .
1 & 2	Insulator body	Porcelain	Grey glazed
S.No.	DESCRIPTION	MATERIAL	REMARKS

Title 220 kV STATION POST INSULATOR (BIL - 900 kV)		Scale N.T.S.	Matl. See table
Ref.		Drawn	Kirti Nambiar
		Checked	S.K.dixit
		Approved	KR JC
All dimension are in mm./inch.		Date	14-10-2013
NEWELL PSN LLC		Drg. No.	
		212- C - 2363	Rev. 0