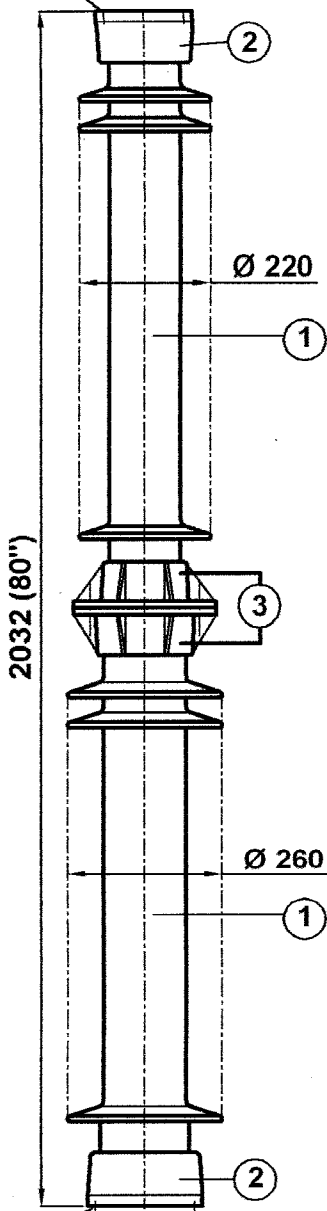


4 Holes 5/8"-11UNC(0.015"Oversize)
X0.866" deep on 5" PCD



4 Holes 3/4"-10UNC(0.015"Oversize)
X0.866" deep on 7" PCD

TECHNICAL PARTICULARS

MECHANICAL VALUES

Bending strength (Upright) lb	2750	kN	12.23
Compression strength lb	60000	kN	267
Tensile strength lb	20000	kN	89
Torsional strength in lb	60000	kNm	6.78

ELECTRICAL VALUES

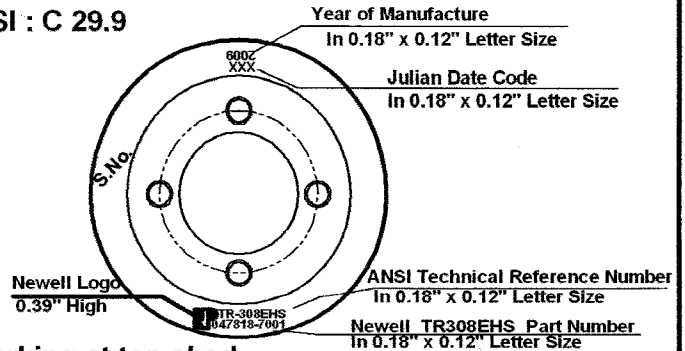
Dry power frequency withstand voltage	kV	425
Wet power frequency withstand voltage	kV	385
Dry power frequency flashover voltage	kV	445
Wet power frequency flashover voltage	kV	405
Lightning impulse withstand voltage	kVp	900
Impulse flash over voltage	kVp	1010
Min. nominal creepage distance	inch 165 mm	4191
Shed profile as per IEC : 60815		

RADIO INFLUENCE VOLTAGE DATA

Test voltage to ground	kV	146
Max. RIV at 1000 kHz	µV	500

NOTE: -

Test & tolerance as per IS :2544 , 5350 & IEC :60168 ,
273 & ANSI : C 29.9



Marking at top shed

2 & 3	Caps & Flange	MCI / SGI	Hot dip galv .
1	Insulator body	Al. porcelain	Grey glazed
S.No.	DESCRIPTION	MATERIAL	REMARKS

Title 230 kV STATION POST INSULATOR (BIL - 900 kV)		Scale N.T.S.	Matl. See table
Ref. TR-308 EHS (047818-7001)		Drawn Prashant Gaur	Checked S.K.Dixit
All dimension are in mm.		Approved K.R.J.C.	Date 04 - 01 - 2007
NEWELL P S N L L C		Drg. No.	Rev.
		212- C - 1525	0