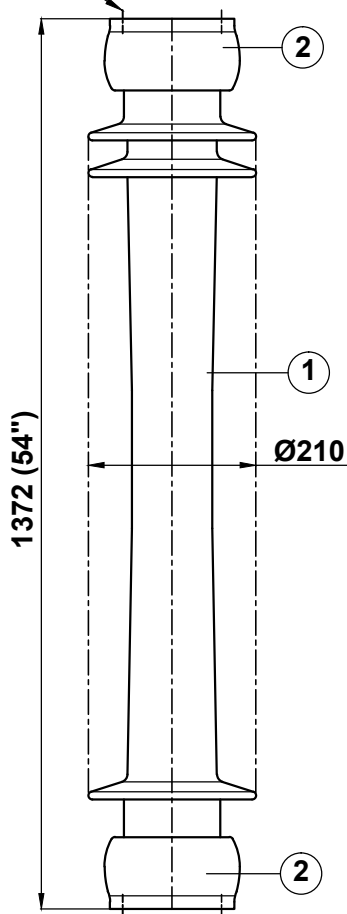


TECHNICAL PARTICULARS

4 Holes 5/8"-11UNC(0.015"Oversize)
X0.866" deep on 5" PCD



4 Holes 5/8"-11UNC(0.015"Oversize)
X0.866" deep on 5" PCD

MECHANICAL VALUES

Bending strength (Upright & under hung)	lb	2200	kN	9.78
Compression strength	lb	75000	kN	333.6
Tensile strength	lb	25000	kN	111.2
Torsional strength	in lb	90000	kNm	10.17

ELECTRICAL VALUES

Dry power frequency withstand voltage	kV	335
Wet power frequency withstand voltage	kV	275
Dry power frequency flashover voltage	kV	365
Wet power frequency flashover voltage	kV	305
Lightning impulse withstand voltage	kVp	650
Impulse flash over voltage	kVp	710
Min. creepage distance	inch. 116	mm 2946
Net Weight (approx.)		kgs 73

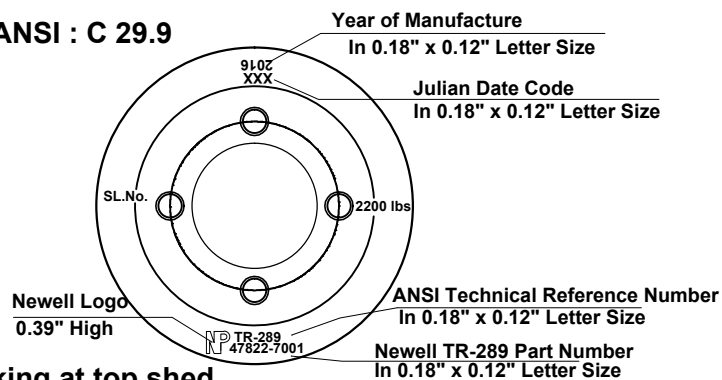
Shed profile as per IEC : 60815

RADIO INFLUENCE VOLTAGE DATA

Test voltage to ground	kV	88
Max. RIV at 1000 kHz	µV	200

NOTE: -

Test & tolerance as per IS :2544 , 5350 & IEC:60168,273
& ANSI : C 29.9



Marking at top shed

2	Caps	MCI / SGI	Hot dip galv .
1	Insulator body	Porcelain	Grey Glazed
S.No.	DESCRIPTION	MATERIAL	REMARKS
Title		Scale	Matl.
STATION POST INSULATOR (BIL - 650 kV)		N.T.S.	See table
Ref.		Drawn	Kirti Nambiar
TR : 289		Checked	S.K.dixit
		Approved	KR JC
All dimension are in mm/inch.		Date	06-02-1998
NEWELL PSN LLC		Drg. No.	Rev.
		212 - C - 1472	0