

4 Holes 5/8"-11 UNC(0.015" Oversize)

X 0.866" deep on 5" PCD

TECHNICAL PARTICULARS

MECHANICAL VALUES

Bending strength (Upright & Underhung)	lb	900	kN	4.00
Compression strength	lb	90000	kN	400
Tensile strength	lb	25000	kN	111
Torsional strength	inch-lb	90000	kNm	10.2

ELECTRICAL VALUES

Dry power frequency withstand voltage	kV	650		
Wet power frequency withstand voltage	kV	590		
Dry power frequency flashover voltage	kV	700		
Wet power frequency flashover voltage	kV	635		
Lightning impulse withstand voltage	kVp	1470		
Impulse flash over voltage	kVp	1610		
Min. creepage distance	inch	264	mm	6706

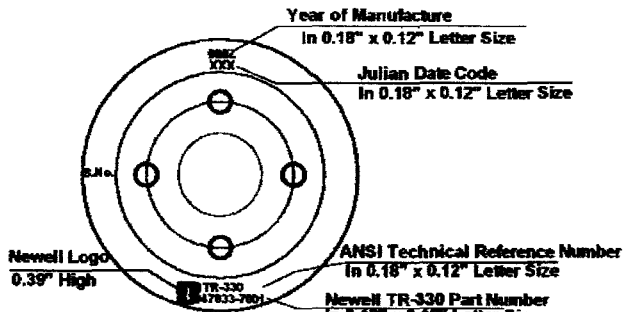
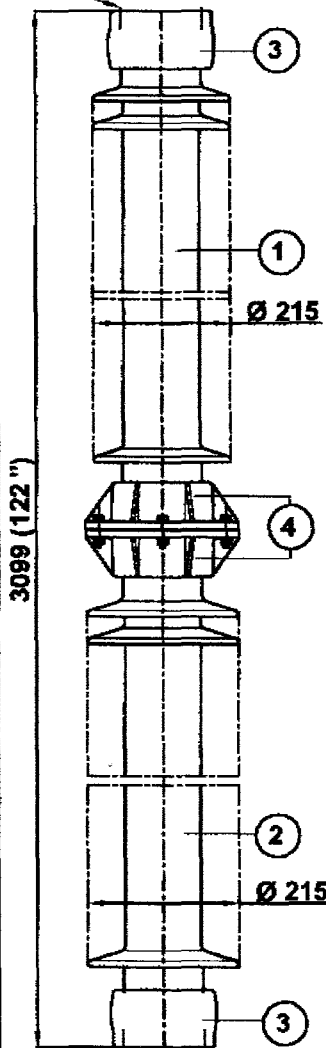
Shed profile as per IEC : 60815

RIV DATA

Test voltage to ground	kV	220
Max. RIV at 1000 kHz	µV	1000

NOTE: -

Test & tolerance as per IS :2544 , 5350 ,ANSI C29.9
& IEC :60168 , 273



Marking at top shed

4 Holes 5/8"-11 UNC(0.015" Oversize)
X 0.866" deep on 5" PCD

3 & 4	Cap & flange	MCI / SGI	Hot dip galv .
1, 2	Insulator body	Al. porcelain	Grey Glazed
S.No.	DESCRIPTION	MATERIAL	REMARKS

Title STATION POST INSULATOR (BIL 1470)		Scale N.T.S.	Matl. See table
Ref. TR-330		Drawn Kirti Nambiar	Checked <i>[Signature]</i>
All dimension are in mm./inch.		Approved <i>[Signature]</i>	Date 07-03-2009
NEWELL PSN LLC		Drq. No. 212 - C - 1273	Rev. 0