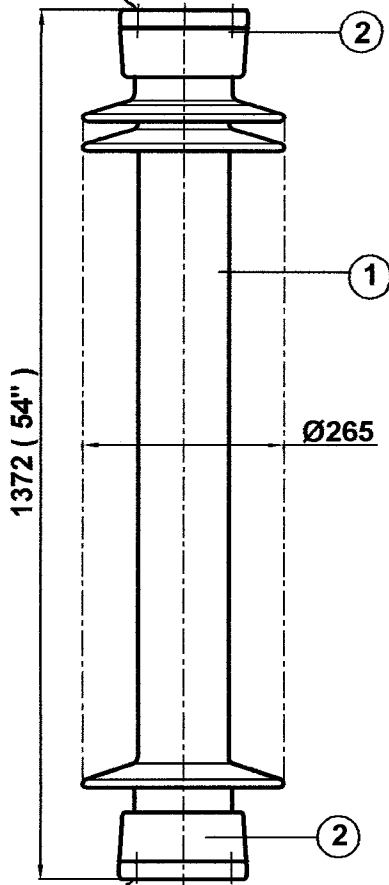


TECHNICAL PARTICULARS

4 Holes 3/4" - 10UNC(0.015"Oversize)
X0.866" deep on 7" PCD



4 Holes 3/4" - 10UNC(0.015"Oversize)
X0.866" deep on 7" PCD

MECHANICAL VALUES

Bending strength (Upright & under hung)	lb	4100	kN	18.24
Compression strength	lb	120000	kN	534
Tensile strength	lb	40000	kN	178
Torsional strength	in lb	120000	kNm	13.56

ELECTRICAL VALUES

Dry power frequency withstand voltage	kV	335
Wet power frequency withstand voltage	kV	275
Dry power frequency flashover voltage	kV	365
Wet power frequency flashover voltage	kV	305
Lightning impulse withstand voltage	kVp	650
Impulse flash over voltage	kVp	710
Min. creepage distance	Inch 116	mm 2950

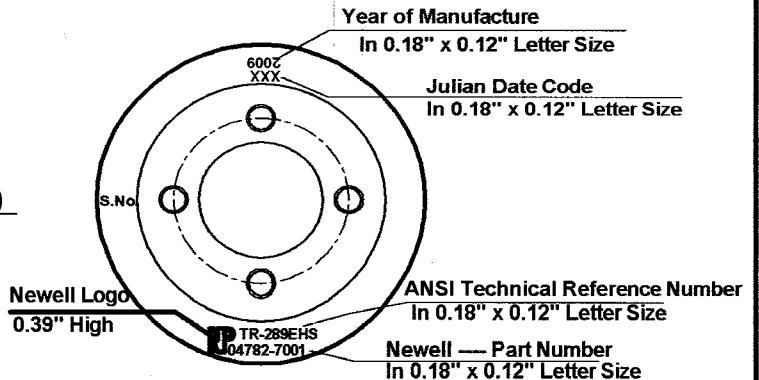
Shed profile as per IEC : 60815

RADIO INFLUENCE VOLTAGE DATA

Test voltage to ground	kV	88
Max. RIV at 1000 kHz	µV	200

NOTE: -

Test & tolerance as per IS :2544 ,5350 &IEC :60168, 273 & ANSI : C 29.9



Marking at top shed

2	Caps	MCI / SGI	Hot dip galv .
1	Insulator body	Al. porcelain	Grey Glazed
S.No.	DESCRIPTION	MATERIAL	REMARKS

Title STATION POST INSULATOR (BIL - 650 kV)		Scale N.T.S.	Matl. See table
Ref. TR - 289 EHS		Drawn	Prashant Gaur
		Checked	S.K.Dixit
		Approved	KR JC
All dimension are in mm./inch.		Date	12-08-2006
NEWELL P S N L L C		Drg. No.	Rev.
		212 - C - 1039	0