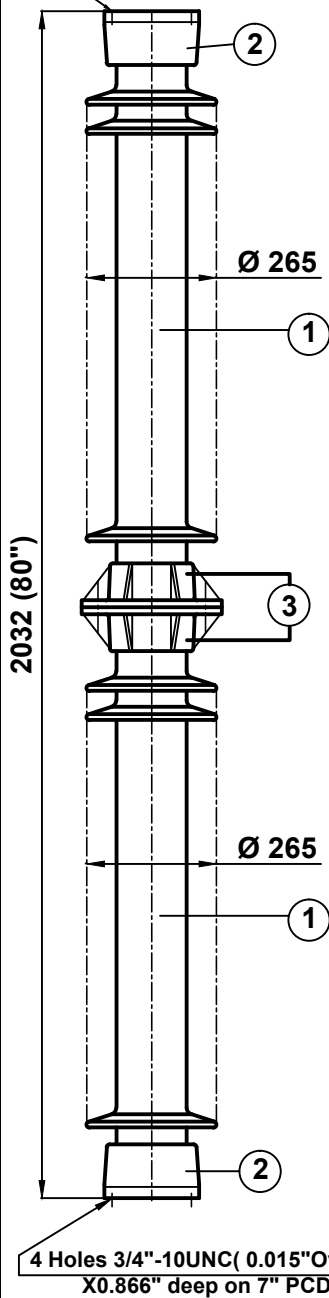


4 Holes 3/4"-10UNC(0.015"Oversize)
X0.866" deep on 7" PCD



4 Holes 3/4"-10UNC(0.015"Oversize)
X0.866" deep on 7" PCD

TECHNICAL PARTICULARS

MECHANICAL VALUES

Bending strength (Upright & Underhung)	lb	2750	kN	12.23
Compression strength	lb	120000	kN	534
Tensile strength	lb	40000	kN	178
Torsional strength	in lb	120000	kNm	13.55

ELECTRICAL VALUES

Dry power frequency withstand voltage	kV	460		
Wet power frequency withstand voltage	kV	385		
Dry power frequency flashover voltage	kV	490		
Wet power frequency flashover voltage	kV	425		
Lightning impulse withstand voltage	kVp	900		
Impulse flash over voltage	kVp	1010		
Min. nominal creepage distance	inch	165	mm	4191
Net Weight (approx.)	kgs	194		

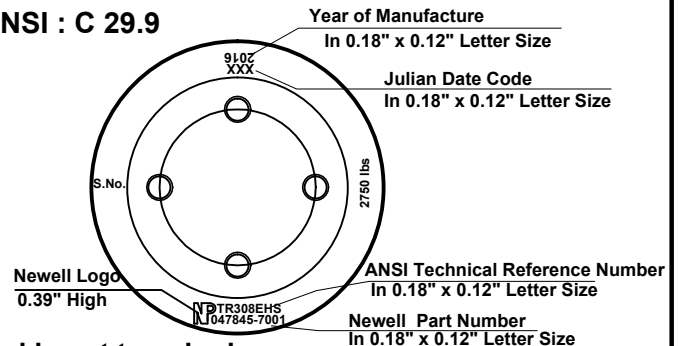
Shed profile as per IEC : 60815

RADIO INFLUENCE VOLTAGE DATA

Test voltage to ground	kV	146
Max. RIV at 1000 kHz	µV	500

NOTE: -

Test & tolerance as per IS :2544 , 5350 & IEC :60168 ,
60273 & ANSI : C 29.9



Marking at top shed

2 & 3	Caps & Flange	MCI / SGI	Hot dip galv .
1	Insulator body	Porcelain	Grey glazed
S.No.	DESCRIPTION	MATERIAL	REMARKS

Title	230 kV STATION POST INSULATOR (BIL - 900 kV)	Scale N.T.S.	Matl. See table
-------	--	-----------------	--------------------

Ref.	Drawn	Kirti Nambiar
	Checked	S.k.Dixit
	Approved	KR JC

All dimension are in mm.	Date	03-05-2006
--------------------------	------	------------

NEWELL PSN LLC	Drg. No.	212- C - 1199	Rev.
			0