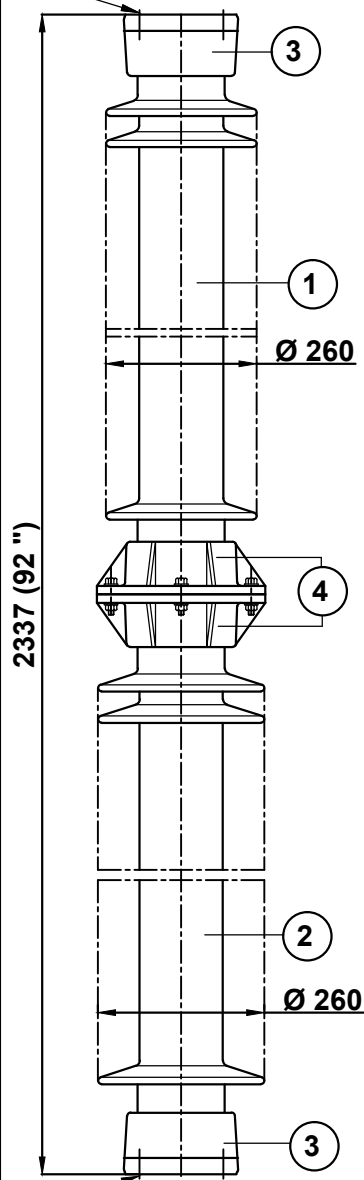


4Holes3/4"-10UNC( 0.015" Oversize )

X0.866" deep on 7" PCD



4Holes3/4"-10UNC( 0.015" Oversize )

X0.866" deep on 7" PCD

**TECHNICAL PARTICULARS**

**MECHANICAL VALUES**

Bending strength (Upright & Underhung)	lb	2300	kN	10.23
Compression strength	lb	120000	kN	534
Tensile strength	lb	40000	kN	178
Torsional strength	inch-lb	120000	kNm	13.56

**ELECTRICAL VALUES**

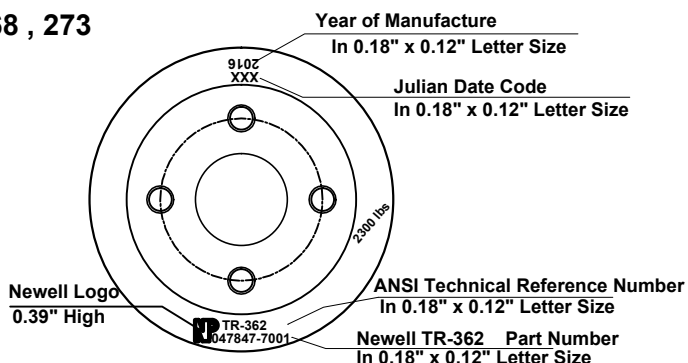
Dry power frequency withstand voltage	kV	515		
Wet power frequency withstand voltage	kV	455		
Dry power frequency flashover voltage	kV	545		
Wet power frequency flashover voltage	kV	485		
Lightning impulse withstand voltage	kVp	1050		
Impulse flash over voltage	kVp	1210		
Min. creepage distance	inch	198	mm	5030
Net Weight ( approx.)			kgs	220
Shed profile as per IEC : 60815				

**RIV DATA**

Test voltage to ground	kV	146
Max. RIV Microvolts at 1000 kHz	µv	500

**NOTE: -**

Test & tolerance as per IS :2544 , 5350 ,ANSI C29.9 & IEC :60168 , 273



**Marking at top shed**

3 & 4	Cap & flange	MCI / SGI	Hot dip galv .
1, 2	Insulator body	Porcelain	Grey Glazed
S.No.	DESCRIPTION	MATERIAL	REMARKS

Title <b>STATION POST INSULATOR</b> ( BIL 1050 )		Scale N.T.S.	Matl. See table
Ref. TR - 362		Drawn Kirti Nambiar	Checked S.K.dixit
All dimension are in mm./inch.		Approved KR JC	Date 05-03-2009
<b>NEWELL PSN LLC</b>		Drg. No.	Rev.
		<b>212 - C - 1580</b>	<b>0</b>