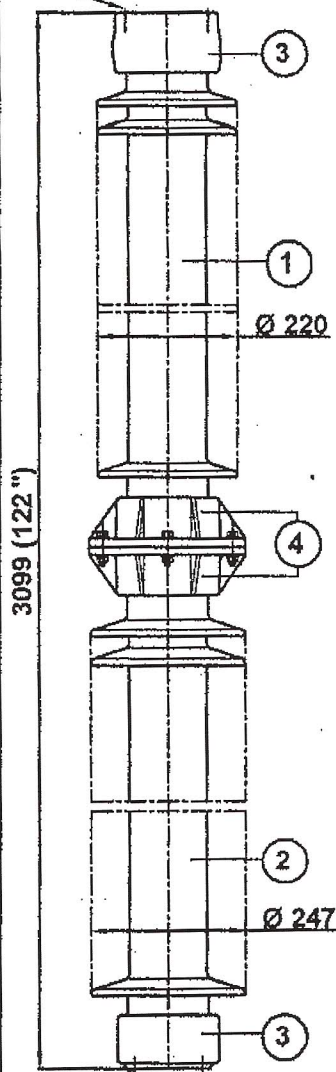


4 Holes 5/8"-11 UNC(0.015" Oversize)

X 0.866" deep on 5" PCD



4 Holes 3/4"-10UNC(0.015"Oversize)
X0.866" deep on 7" PCD

TECHNICAL PARTICULARS

MECHANICAL VALUES

Bending strength (Upright)	lb	1750	kN	7.78
Compression strength	lb	60000	kN	267
Tensile strength	lb	20000	kN	89
Torsional strength	inch-lb	60000	kNm	6.78

ELECTRICAL VALUES

Dry power frequency withstand voltage	kV	650
Wet power frequency withstand voltage	kV	590
Dry power frequency flashover voltage	kV	680
Wet power frequency flashover voltage	kV	620
Lightning impulse withstand voltage	kVp	1470
Impulse flash over voltage	kVp	1610
Min. creepage distance	inch 264	mm 6706

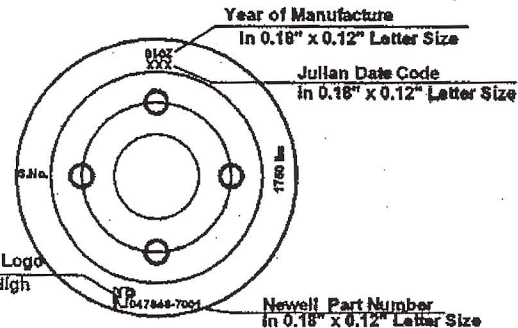
Shed profile as per IEC : 60815

RIV DATA

Test voltage to ground	kV	220
Max. RIV at 1000 kHz	µv	1000

NOTE: -

Test & tolerance as per IS :2544 , 5350 ,ANSI C29.9
& IEC :60168 , 273



Marking at top shed

3 & 4	Cap & flange	MCI / SGI	Hot dip galv .
1, 2	Insulator body	Al. porcelain	Grey Glazed
S.No.	DESCRIPTION	MATERIAL	REMARKS
Title		Scale	Matl.
STATION POST INSULATOR (BIL 1470KV)		N.T.S.	See table
Ref.		Drawn	Kirti Namblar
		Checked	<i>[Signature]</i>
		Approved	<i>[Signature]</i>
All dimension are in mm./inch.		Date	16-03-2010
NEWELL PSN LLC		Drg. No.	Rev.
		212 - C - 1602	0