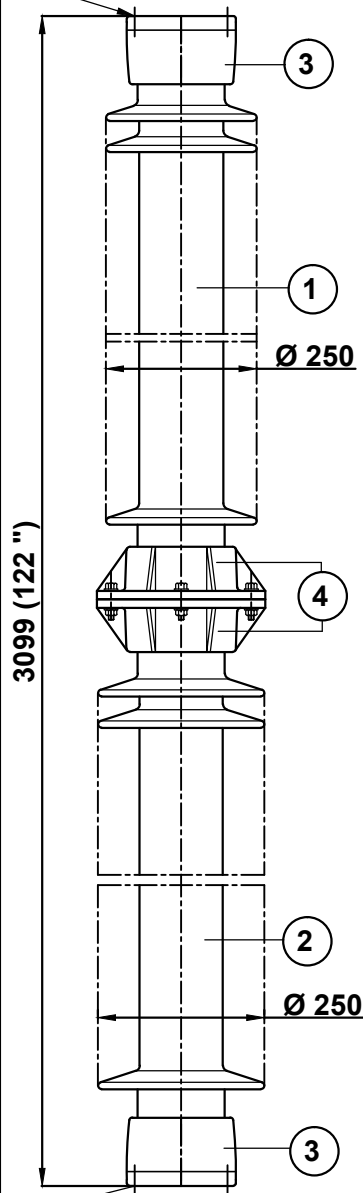


4Holes3/4"-10UNC (0.015"Oversize)

X 0.866 deep on 7"P.C.D.



4Holes3/4"-10UNC (0.015"Oversize)

X 0.866 deep on 7"P.C.D.

TECHNICAL PARTICULARS

MECHANICAL VALUES

Bending strength (Upright & Underhung)	lb	1750	kN	7.8
Compression strength	lb	120000	kN	534
Tensile strength	lb	40000	kN	178
Torsional strength	inch-lb	120000	kNm	13.6

ELECTRICAL VALUES

Dry power frequency withstand voltage	kV	650
Wet power frequency withstand voltage	kV	590
Dry power frequency flashover voltage	kV	700
Wet power frequency flashover voltage	kV	635
Lightning impulse withstand voltage	kVp	1470
Impulse flash over voltage	kVp	1610
Min. creepage distance	inch 264	mm 6706
Net weight (approx.)	kg	268

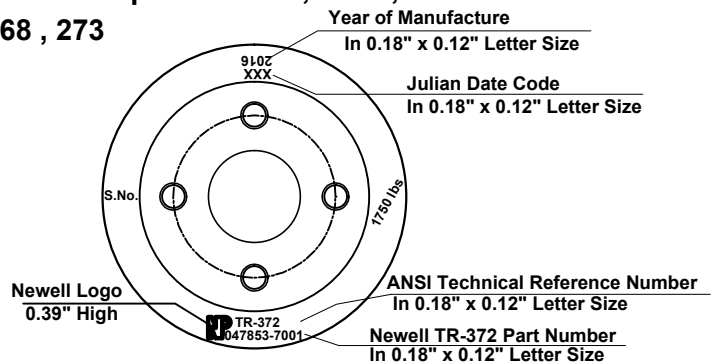
Shed profile as per IEC : 60815

RIV DATA

Test voltage to ground	kV	220
Max. RIV at 1000 kHz	μv	1000

NOTE: -

Test & tolerance as per IS :2544 , 5350 ,ANSI C29.9
& IEC :60168 , 273



Marking at top shed

3 & 4	Cap & flange	MCI / SGI	Hot dip galv .
1, 2	Insulator body	Porcelain	Grey Glazed
S.No.	DESCRIPTION	MATERIAL	REMARKS
Title		Scale	Matl.
380 kV		N.T.S.	See table
STATION POST INSULATOR			
(BIL 1470)			
Ref.		Drawn	H.S. Rathore
TR - 372		Checked	S.K.dixit
		Approved	KR JC
All dimension are in mm./inch.		Date	22-02-2011
NEWELL PSN LLC		Drg. No.	Rev.
		212 - C - 1622	0