

TECHNICAL PARTICULARS

MECHANICAL VALUES

Bending strength (Upright)	lb	1400	kN	6.22
Compression strength	lb	60000	kN	267
Tensile strength	lb	20000	kN	89
Torsional strength	in lb	40000	kNm	4.52

ELECTRICAL VALUES

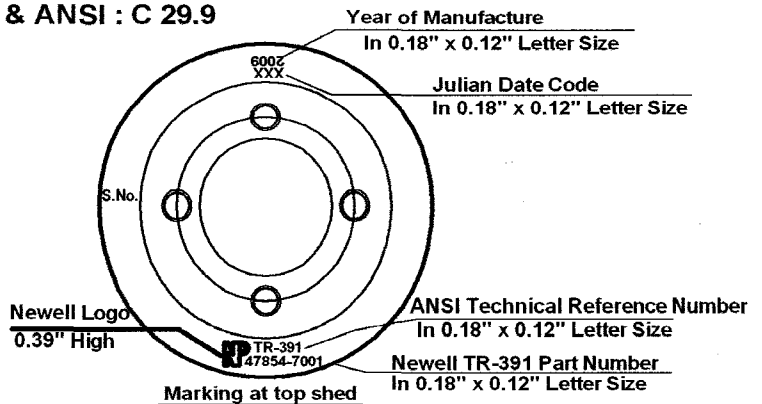
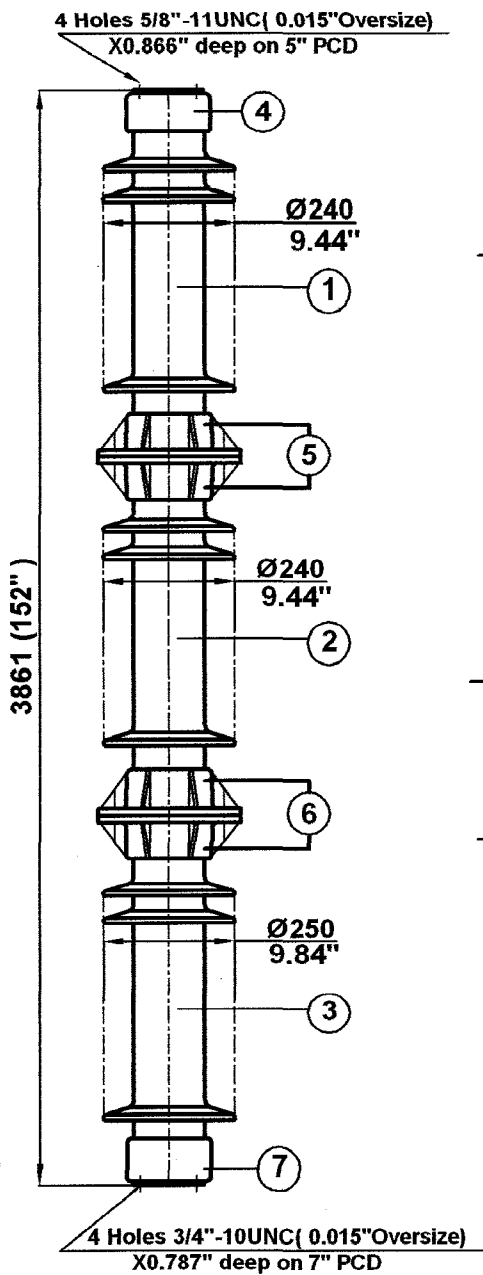
Dry power frequency withstand voltage	kV	770		
Wet power frequency withstand voltage	kV	710		
Dry power frequency flashover voltage	kV	800		
Wet power frequency flashover voltage	kV	740		
Lightning impulse withstand voltage	kVp	1800		
Impulse flash over voltage	kVp	2000		
Min. nominal creepage distance	inch	330	mm	8382
Shed profile as per IEC : 60815				

RADIO INFLUENCE VOLTAGE DATA

Test voltage to ground	kV	318
Max. RIV at 1000 kHz	µV	2000

NOTE: -

Test & tolerance as per IS :2544 , 5350 & IEC :60168 , 273 & ANSI : C 29.9



4,5,6,&7	Caps & Flange	MCI / SGI	Hot dip galv .
1,2 & 3	Insulator body	Al. porcelain	Grey glazed
S.No.	DESCRIPTION	MATERIAL	REMARKS

Title STATION POST INSULATOR (BIL - 1800 kV)		Scale N.T.S.	Matl. See table
Ref. TR : 391		Drawn Kirti Kumar	Checked KR JC
All dimension are in mm.		Approved J B A	Date 17-12-1999
NEWELL PSN LLC		Drg. No. 212- C - 382	Rev. 1

Rev. : - 1 On dated 30-01--2001