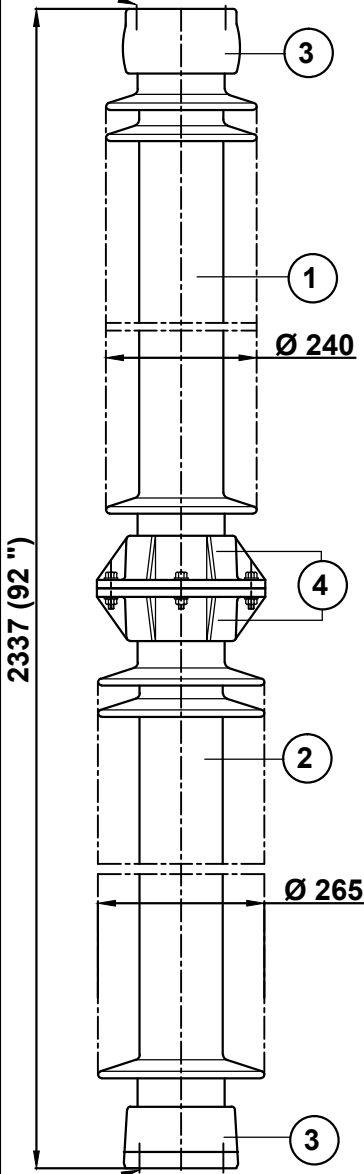


4 Holes 5/8"-11 UNC(0.015" Oversize)

X 0.866" deep on 5" PCD



4Holes3/4"-10UNC(0.015" Oversize)

X0.866" deep on 7" PCD

TECHNICAL PARTICULARS

MECHANICAL VALUES

Bending strength (Upright)	lb	2300	kN	10.23
Compression strength	lb	90000	kN	400
Tensile strength	lb	25000	kN	111
Torsional strength	inch-lb	90000	kNm	10.17

ELECTRICAL VALUES

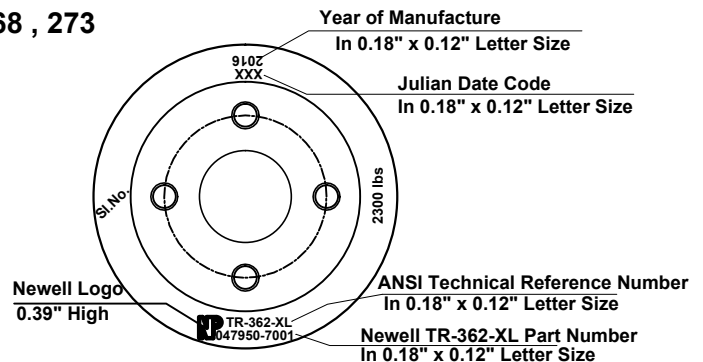
Dry power frequency withstand voltage	kV	515		
Wet power frequency withstand voltage	kV	455		
Dry power frequency flashover voltage	kV	545		
Wet power frequency flashover voltage	kV	485		
Lightning impulse withstand voltage	kVp	1050		
Impulse flash over voltage	kVp	1210		
Min. creepage distance	inch	216	mm	5487
Net Weight (approx.)			kgs	182
Shed profile as per IEC : 60815				

RIV DATA

Test voltage to ground	kV	146
Max. RIV Microvolts at 1000 kHz	µv	500

NOTE: -

Test & tolerance as per IS :2544 , 5350 ,ANSI C29.9 & IEC :60168 , 273



Marking at top shed

3 & 4	Cap & flange	MCI / SGI	Hot dip galv .
1, 2	Insulator body	Porcelain	Grey Glazed
S.No.	DESCRIPTION	MATERIAL	REMARKS

Title STATION POST INSULATOR (BIL 1050)		Scale N.T.S.	Matl. See table
Ref. <u>TR-362-XL</u>		Drawn Kirti Nambiar	Checked S.K.Dixit
All dimension are in mm./inch.		Approved KR JC	Date 25-08-2008
NEWELL PSN LLC		Drg. No.	Rev.
		212 - C - 1565	0