

4 Holes 5/8"-11 UNC(0.015" Oversize)

X 0.866" deep on 5" PCD

TECHNICAL PARTICULARS

MECHANICAL VALUES

Bending strength (Upright)	lb	2000	kN	8.89
Compression strength	lb	60000	kN	267
Tensile strength	lb	20000	kN	89
Torsional strength	inch-lb	60000	kNm	6.78

ELECTRICAL VALUES

Dry power frequency withstand voltage	kV	515		
Wet power frequency withstand voltage	kV	455		
Dry power frequency flashover voltage	kV	545		
Wet power frequency flashover voltage	kV	485		
Lightning impulse withstand voltage	kVp	1050		
Impulse flash over voltage	kVp	1210		
Min. creepage distance	inch	198	mm	5030

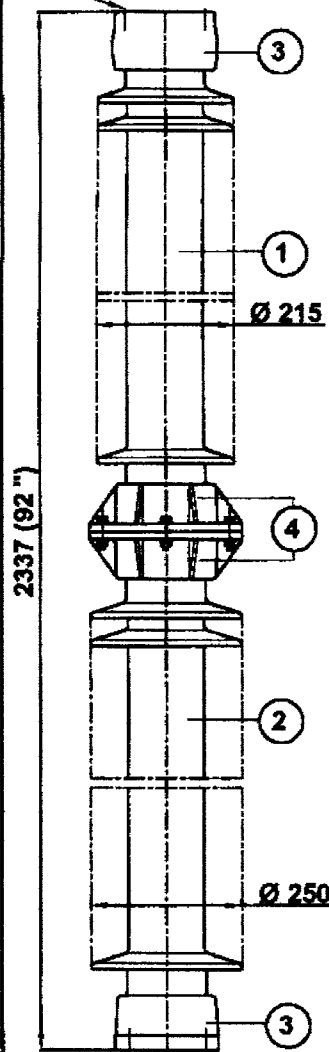
Shed profile as per IEC : 60815

RIV DATA

Test voltage to ground	kV	146
Max. RIV Microvolts at 1000 kHz	µv	500

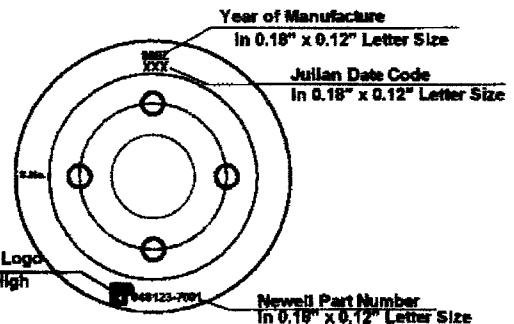
NOTE: -

Test & tolerance as per IS :2544 , 5350 ,ANSI C29.9 & IEC :60168 , 273



4Holes 3/4"-10UNC(0.015" Oversize)

X0.866" deep on 7" PCD



Marking at top shed

3 & 4	Cap & flange	MCI / SGI	Hot dip galv .
1, 2	Insulator body	Al. porcelain	Grey Glazed
S.No.	DESCRIPTION	MATERIAL	REMARKS

Title STATION POST INSULATOR (BIL 1050)		Scale N.T.S.	Matl. See table
Ref. Drg. No. - 048123 - 7001		Drawn M.S.Gurjer	Checked S.K.Dixit
All dimension are in mm./inch.		Approved KR JC	Date 21-08-2000
NEWELL PSN LLC		Dr. No.	Rev.
		212 - C - 722	0