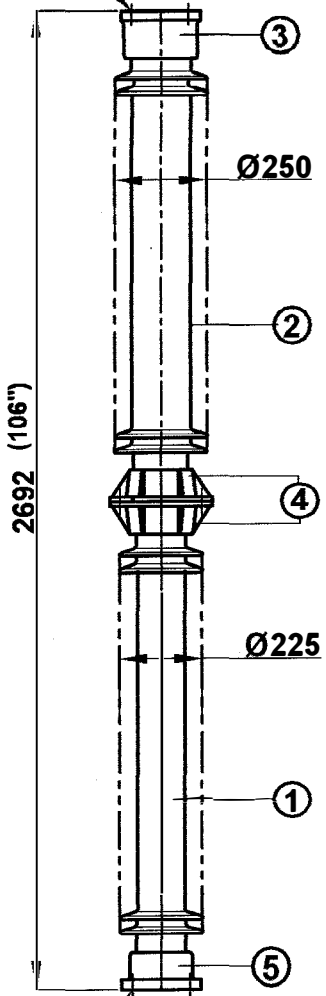


4Holes 3/4"-10UNC
(0.015"Oversize)
X 0.866 deep on 7" P.C.D.



4Holes 5/8"-10UNC
(0.015"Oversize)
X 0.866 deep on 5" P.C.D.

TECHNICAL PARTICULARS

MECHANICAL VALUES

Bending strength (Under hung)	lb	2050	kN	9.12
Compression strength	lb	60000	kN	267
Tensile strength	lb	20000	kN	89
Torsional strength	inch-lb	40000	kNm	4.52

ELECTRICAL VALUES

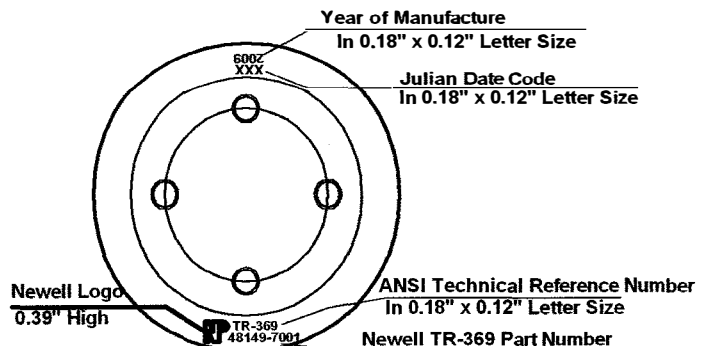
Dry power frequency withstand voltage	kV	585
Wet power frequency withstand voltage	kV	525
Dry power frequency flashover voltage	kV	615
Wet power frequency flashover voltage	kV	555
Lightning impulse withstand voltage	kVp	1300
Impulse flash over voltage	kVp	1410
Min. creepage distance - inch		231
Shed profile as per IEC : 60815	mm	5868

RIV DATA

Test voltage to ground	kv	220
Max. RIV Microvolts at 1000 kHz	µv	1000

NOTE: -

Test & tolerance as per IS :2544 , 5350 & IEC :60168 ,
IEC :273 & ANSI :C29.9



Marking at top shed

3, 4 & 5	Caps & flanges	MCI / SGI	Hot dip galv .
1, 2	Insulator body	Al. porcelain	Grey glaze
S.No.	DESCRIPTION	MATERIAL	REMARKS

Title	330 kV Solidcore Post Insulator (BIL-1300 kv)		Scale	Matl.
			N.T.S.	See table

Ref. TR - 369 [Underhung]	Drawn	Kirti Nambiar
	Checked	S.K.dixit
	Approved	KR JC
All dimension are in mm.	Date	24-03-2006

NEWELL P S N L L C	Drg. No.	Rev.
	212 - C - 1184	0

Rev. - 1 on dt. - 24-03-2006