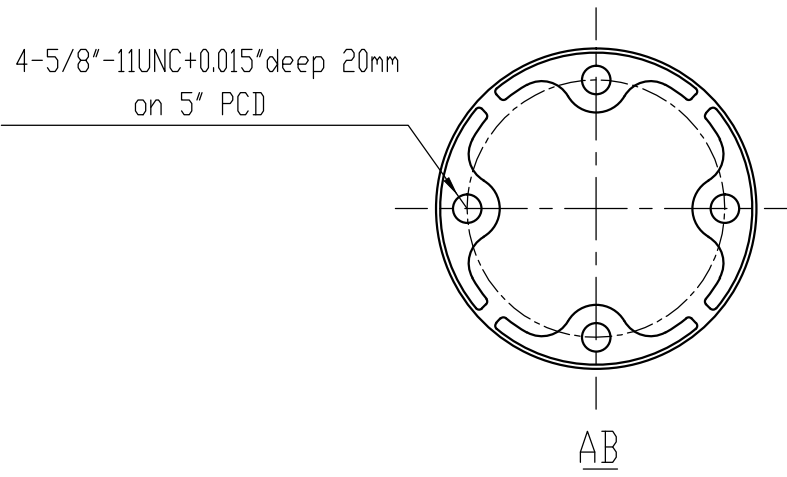


- Technical requirement:
- 1. Creepage distance: 610mm (24")
 - 2. Cantilever strength: 17.8kN
 - 3. Tensile strength: 89kN
 - 4. Torsion strength: 1.81kN·m
 - 5. Compression strength: 89kN
 - 6. Critical impulse flashover voltage (positive): 170kV
 - 7. Low-Frequency wet withstand: 60kV
 - Impulse withstand: 150kV
 - 8. Radio interference voltage: test voltage to ground: 15kV
 - Max. RIV at 1000kHz: 100 μV
 - 9. Color: Grey
 - 10. Applicable standard: ANSI C29.1 & ANSI C29.7



5	F2655B	FITTING	1	QT450-10			
4		PORCELAIN	1	IV			
3		CEMENT					
2		CORK	1				
1	F2655B	FITTING	1	QT450-10			
No	DRAWING No	NAME	QTY	MATERIAL	ONE	TOTAL	NOTE
					WEIGHT	WEIGHT	
SIGN	QTY	REJIGGER No	NAME	DATE	DRAWING No		
DRAWN					41515-7001		
CHECKED					PHASS SIGN	WEIGHT	SCALE
APPROVE							
DATE					TOTAL 2 PAGES		PAGE 1
					INSULATOR		
					MATERIAL	TR227	
					NEWELL-PSN,LLC		