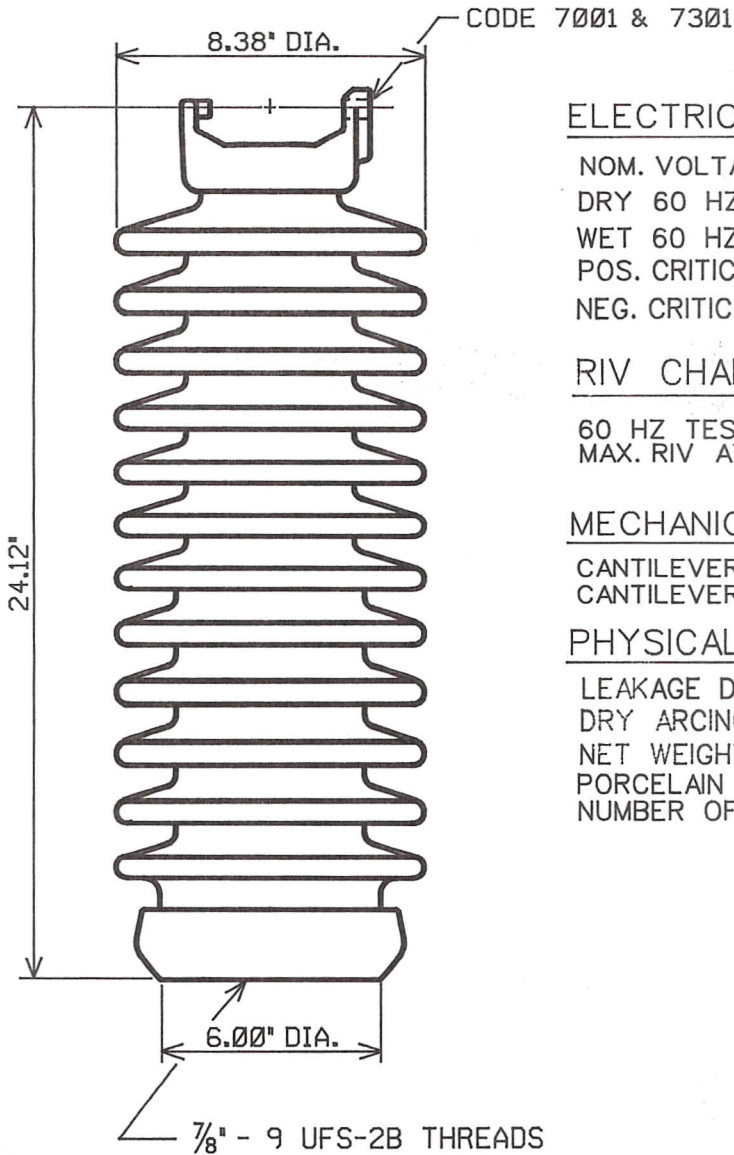


**NEWELL  
PORCELAIN**

FIFTH & HARRISON STREETS P.O. BOX C  
NEWELL, WEST VIRGINIA 26050  
TELEPHONE: (304) 387-2700 FAX (304) 387-2792



ELECTRICAL CHARACTERISTICS

NOM. VOLTAGE RATING, KV	-----	69
DRY 60 HZ F.O., KV	-----	200
WET 60 HZ F.O., KV	-----	170
POS. CRITICAL IMPULSE F.O., KV	-----	330
NEG. CRITICAL IMPULSE F.O., KV	-----	425

RIV CHARACTERISTICS

60 HZ TEST VOLTAGE, KV	-----	44
MAX. RIV AT 1000 KHZ, MV	-----	200

MECHANICAL CHARACTERISTICS

CANTILEVER STRENGTH, LBS	-----	2800
CANTILEVER PROOF TEST (MIN), LBS	-----	1400

PHYSICAL CHARACTERISTICS

LEAKAGE DISTANCE, IN	-----	53
DRY ARCING DISTANCE, IN	-----	19.25
NET WEIGHT, LBS	-----	71
PORCELAIN DIAMETER, IN	-----	8.38
NUMBER OF PETTICOATS	-----	12



CODE 7201 & 7401

ISSUED BY DRAFTING DEPT.  
CORRECT AS OF 6/9/93  
BY B

CODE	DESCRIPTION
7401	ANSI-70 GREY GLAZE, STL. PINTLE BLT W/STL JAM NUT
7301	ANSI-70 GREY GLAZE, ST. STL. PINTLE BLT W/STL LOCKWASHER
7201	ANSI-70 GREY GLAZE, AL. PINTLE BLT W/STL JAM NUT
7001	ANSI-70 GREY GLAZE, STL. PINTLE BLT W/STL LOCKWASHER

VERTICAL CLAMP TOP  
LINE POST

DRFTMN: JB	APPRVD: JK 6/9/93
ISSUE: C	DATE: 6/3/93
DRAWING NO. 043980	CODE SEE TABLE